

8J021

PRODUCTION ORDER

MODEL 6.5 MCCK-3CR/2268H VOLTS 120/240 PH 1 QTY
 WIRE 4 CYCLE 60 RPM 1800 PF 1.0 BAT 12
 CONTINUOUS STANDBY POWER RATING: KW 6.5 KVA 6.5 AMPS 54/27

ORDER REC
 JST.
 G. DATA 1004-0004-04
 EN 2000-0197 (D)
 (C)
 TWND 220-3049 (D)
 TWND 201-2704 (D)
 ECT
 C 611-1145-01 (C)
 VG
 XCTR
 WBD
 TR
 T-STP
 ARB
 R. BRKR.
 AP SW.
 SG

ENG. GEN: 546-1210 (A) Parts List
 338-1099 (A) Harness Assy.

ENG. TEST: 546-1242 (A) Parts List

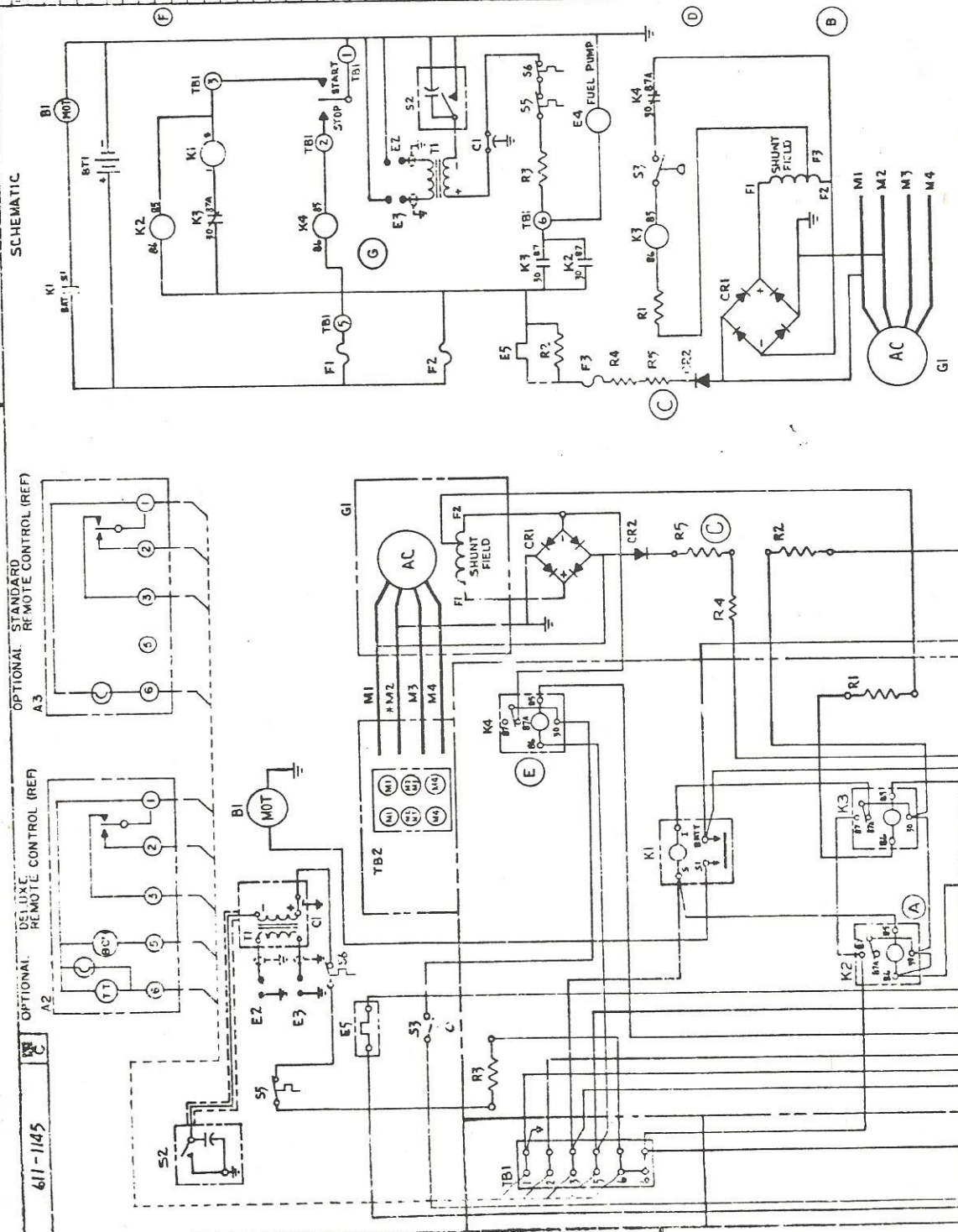
SHIPPING: 546-1211 (A) Parts & Silkscreen List
 1818
 Spec advanced from "G" to "H" per ECN #2129

PLUS: E22 - heat exchanger cooling

JTLINE 500-1742 (C)
 OUT DATA TD-459

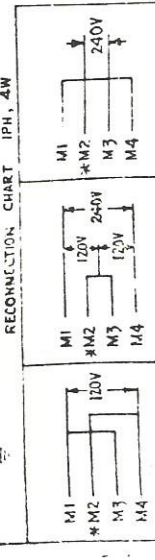
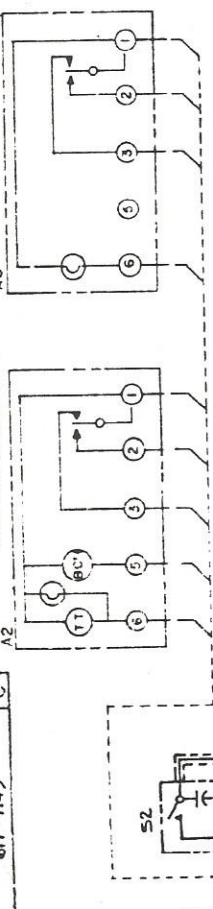
REISSUE: 546-1818 WAS 546 1211
 REMOVE 98-9760 ER # 20530

O. NO. + B
 JGR BEB Busace 5-11-82 MODEL 6.5 MCCK - 3CR/2268H
 9-10-82



OPTIONAL STANDARD REMOTE CONTROL (REF)

OPTIONAL DELUXE REMOTE CONTROL (REF)

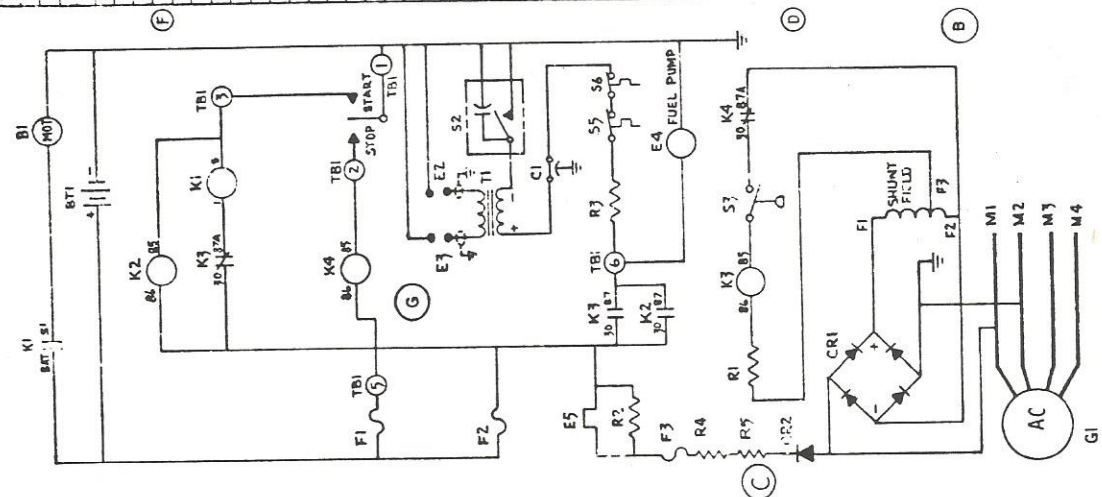


ENG	BEARING
M4	END
M3	M1
M2	M4
M1	M3

3C 120/240V, 1PH

* = GOUNDED AC LEAD

SCHEMATIC



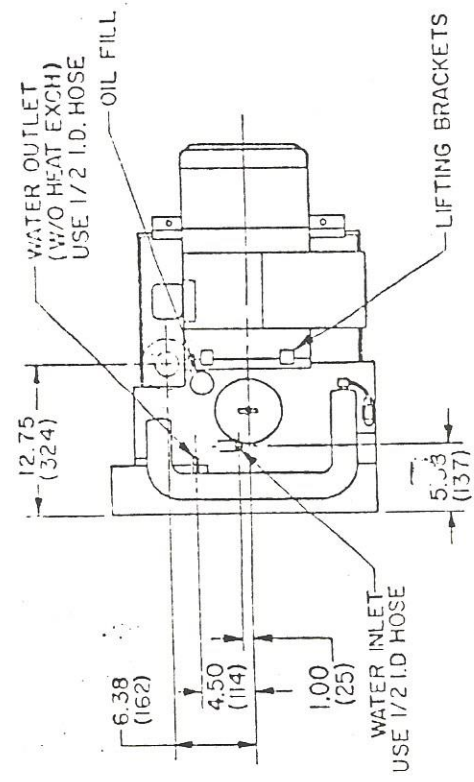
PARTS LIST CONTROL (REF)	300-1761	CONTROL ASSY
BT1 BATTERY (REF)		
B1 MOTOR-STARTER		
C1 CONDENSER ASSY (0.15μF, 100 VDC)		
CR1 RECTIFIER-BRIDGE		
CR7 RECTIFIER-SECTION (6-17A, 280V)		
E2,3 PLUG SPARK PUMP-FUEL		
E4 CHARGE-ELECT (ONAN)		
F1 FUSE-5 AMP, 32V		
F2 HOLDER-FUSE		
F3 FUSE-3 AMP		
G1 GENERATOR		
K1 RELAY-START SOLENOID		
K2 RELAY-BRAK REGULATION		
K3 RELAY-ARM LIMITATION		
K4 RELAY-TOP		
R1 RESISTOR-100Ω, 5W		
R2 RESISTOR-2Ω, 0.5W		
R3 RESISTOR-HYTEMP, 120Ω, 3W		
R4 RESISTOR-75A, 5W		
S1 SWITCH-15A, 125V		
S2 SWITCH-EXHAUST & FUEL 240V		
S3 SWITCH-LOW OIL TEMP		
S4 SWITCH-HIGH WATER TEMP		
S5 SWITCH-HIGH EXH TEMP		
S6 SWITCH-IGNITION		
T1 TERMINAL BLOCK		
T2 WARMER STRIP		
T3 TERMINAL BLOCK		
T4 WARNER STRIP		
A2 CONTROL-GEN/EXHAUST		
A3 CONTROL-WATER TEMP/START		

NOTE:
1. TBI-5 IS FOR B+ OR REMOTE BATTERY CONDITION METER
TBI-6 IS FOR REMOTE RUNNING TIME METER OR RUNNING LIGHT

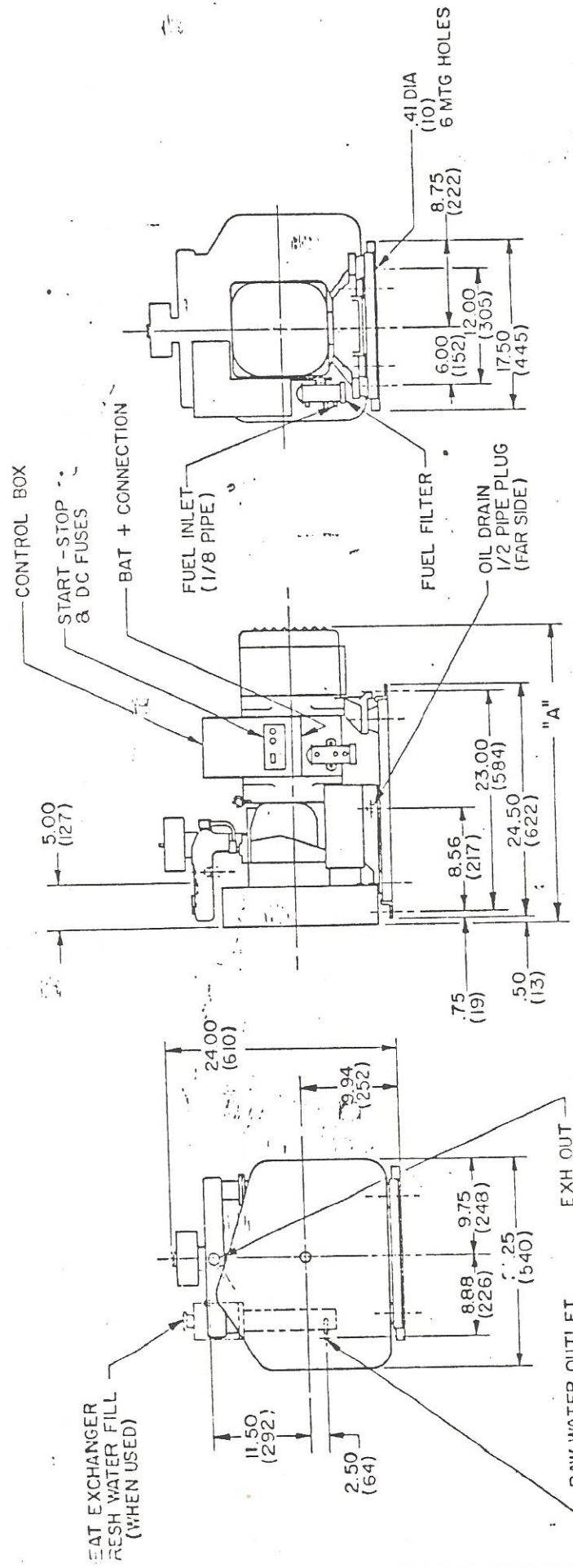
6239I	WAS TBI-6 TO K4-86
6239E	CRI WAS 305-0517
6243E	WAS K4-86 TO E5
6243D	WAS D-56
6243C	WAS R5 TO G1, G2, G3, G4
6243B	WAS R7 TO R4, R5
6243A	WAS R7 TO R4, R5

611-1145
CONTROL-GEN SET
(WIRING DIAGRAM)
8-30-78 DFG
MCCK
1PH
170/240V
4W

500-1742



500-1742



NOTES:
1. DIMENSIONS IN () ARE MILLIMETERS

MODEL	DIM "A"
4.0 MCKK - SPEC H	28.88 (734)
6.5 MCKK - SPEC H	30.25 (768)

500-1742

OUTLINE - ENG 3E1

MCKK (REMOTE)

500-1742

DATE	6-15-78
BY	WMJ
CHKD	WMJ
APP'D	
SCALE	1" = 1/8"

A DIVISION OF DATA CORP-241
WILSONVILLE, OREGON